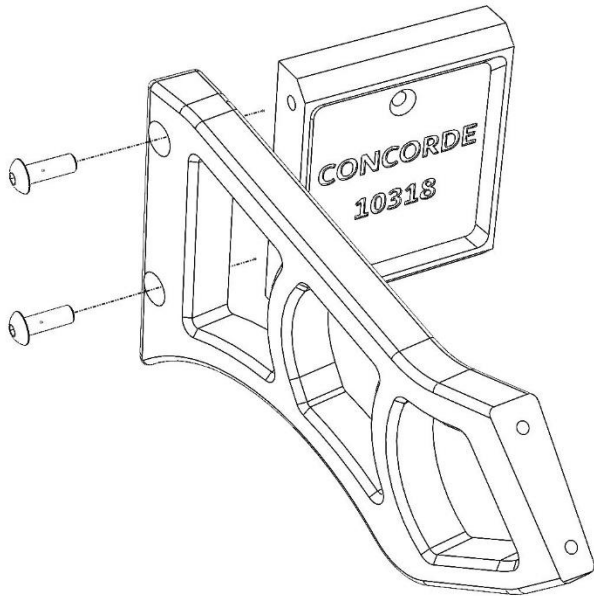




Assembly Manual For Angled Wall Mount – Concorde (10318)

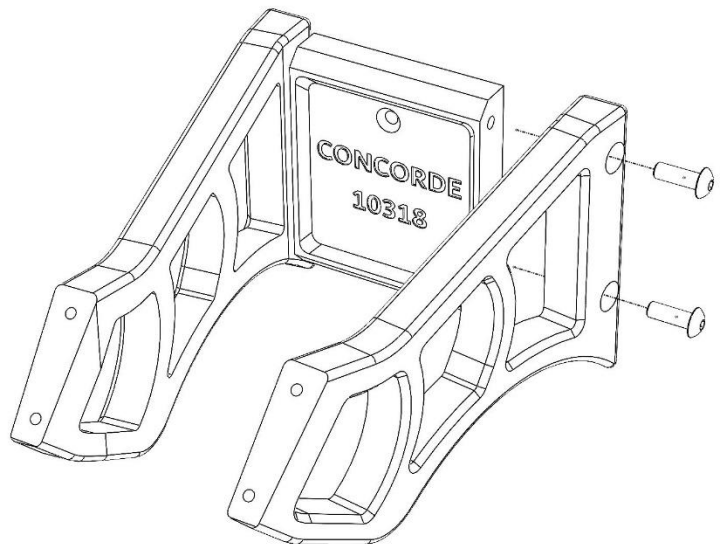


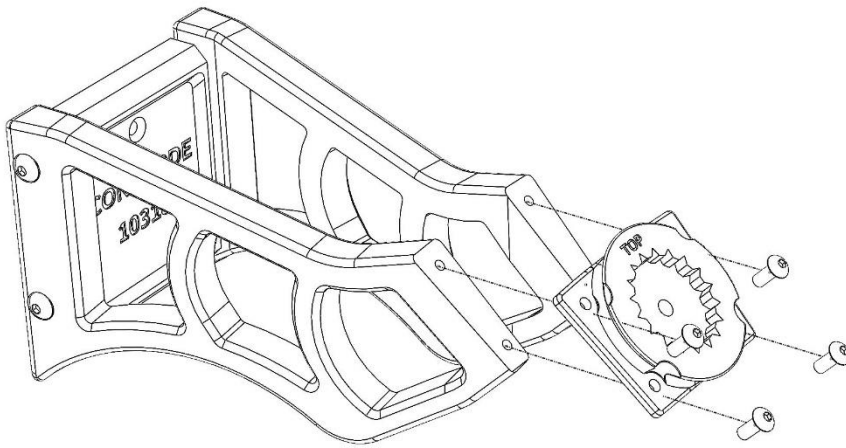
Step 1:

- Using 2 x Included M5x15 Screws. Fasten the left side arm to the back plate using a 3mm Allen Key.
- Take note that the side which fastens to the back plate is angled.
- Don't over tighten!

Step 2:

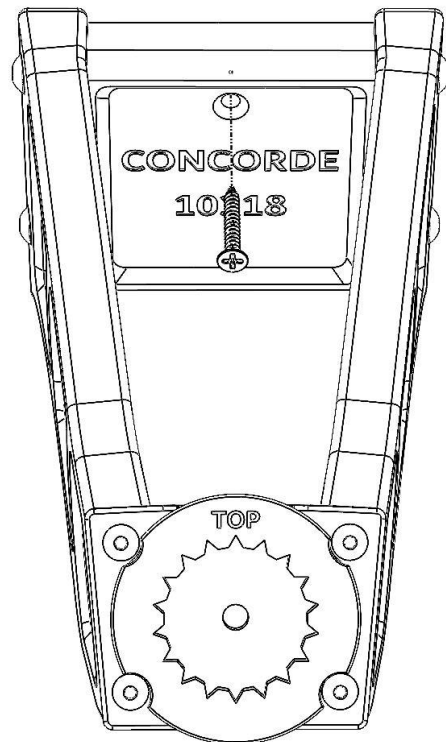
- Using another 2 x M5x15 screws. Fasten the right side arm to the back plate as shown.
- Again. Don't over tighten.





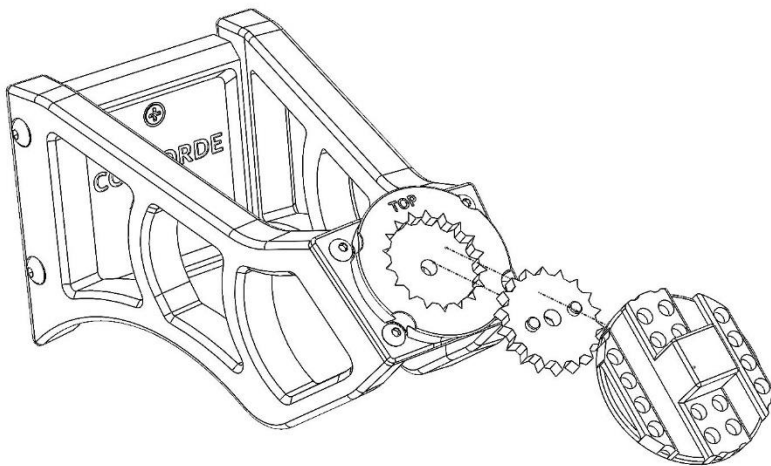
Step 3:

- Using a 2.5mm Allen Key. Fasten the bottom plate to the arms using the 4 x M4x10 screws.
- You may have to align the arms to the holes in some cases bending the arms inwards a little. This is normal.
- Don't over tighten!



Step 4:

- Using the included screw and plug. Fasten the mount to the wall if you know where you like it to be.
- Ensure you have enough space around the mount for the Concorde.
- **WARNING!!** Never mount the Concorde over a source of heat or over a bed frame etc where if falling could cause harm or injury to someone.

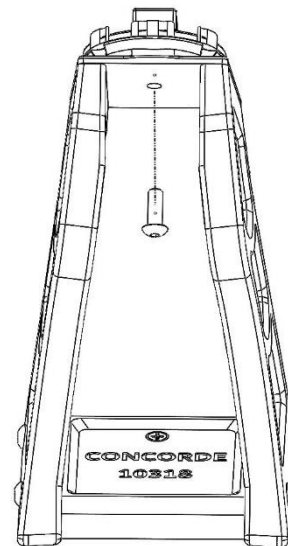


Step 5:

- Next. Assemble the Gear and the adaptor plate together. These clip together using the two locating lugs.
- You can now fasten this to your Concorde. Please remove the 2x6 white tile & 6x6 White Tile from the underside of the Concorde.
- Push the adaptor plate into the set so the adaptor peg locates into the stand hole.
- Place it onto the wall mount to find the angle you would like to display the model at. You can rotate the plate and Concorde on the different points of the gear.
- Once you have found a good angle you like. Proceed to Step 6.

Step 6:

- Using a 3mm Allen Key. Secure the Concorde to the mount using the last M5x15 screw.
- This will fasten down the adaptor plate to the frame ensuring your Concorde remains fastened to the mount.
- Ensure the Concorde is secure to the Mount via the Lego fastenings.



Please ensure the Lego set is structurally together before attempting to place on the wall mount.

For any technical support. Please get in touch at www.Odyssey3D.co.uk

Your feedback on my products is greatly appreciated and these mounts are constantly evolving based on this.

Thank you for your purchase and support.