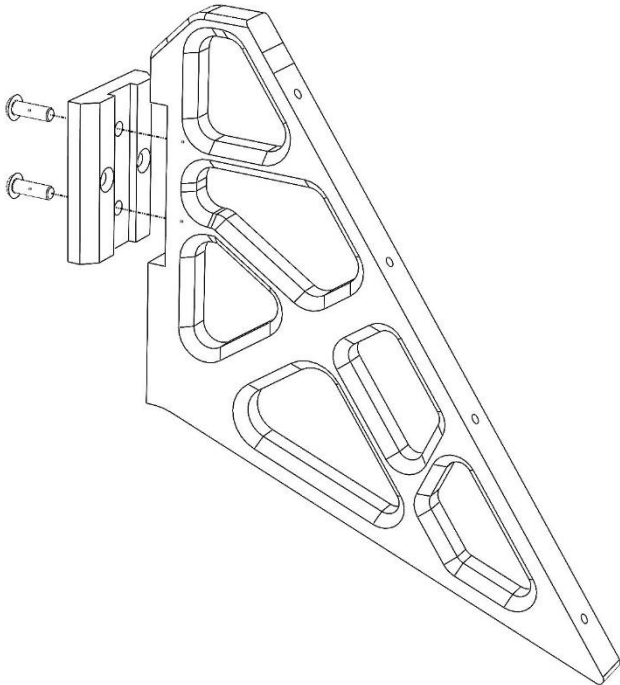




# Assembly Manual For Angled Wall Mount – Star Wars Republic Gunship (75309)

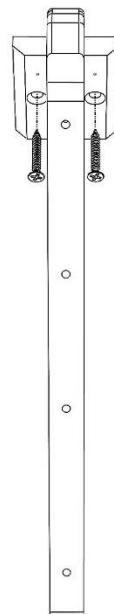


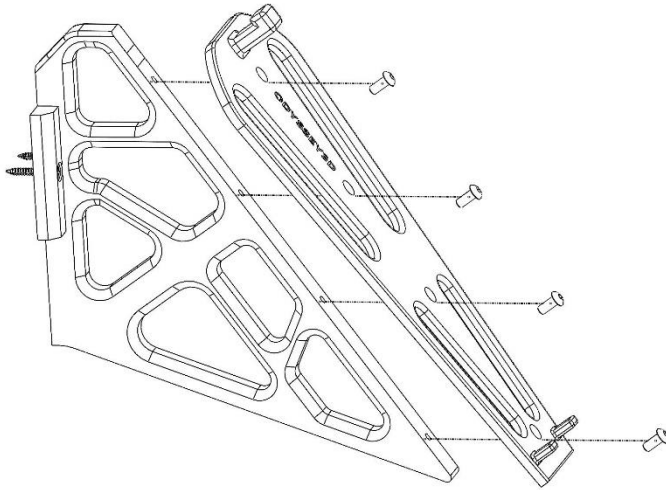
## Step 1:

- Find the included 2 x M5x15 screws.
- Fasten the rear back plate to the main arm assembly using a 3mm Allen Key.
- Don't over tighten! These holes have been pre threaded so no need to over do it.

## Step 2:

- Find the included 2 x 4x25mm Screws and Plugs.
- Mark out on your wall the holes for the back plate using it as a guide to where you want it to be.
- Drill out the holes and fit the plugs.
- Fasten the rear back plate to the wall using the 4 screws and ensure its secure.



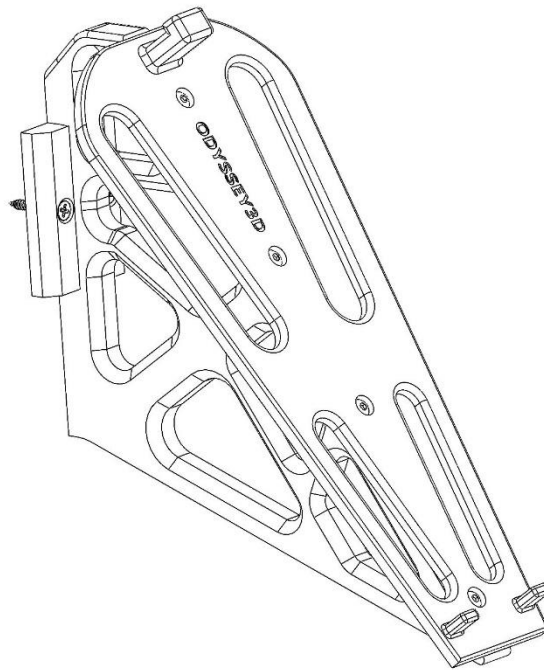


### Step 3:

- Find the included 4 x M4x10 screws.
- Using a 2.5mm Allen Key. Fasten the top plates to the assembled frame.
- TIP- finger tight screws until all screws are located. Then tighten for easier locating of screws.
- Don't over tighten!

### Completed Wall Mount.

- Check your wall mount is secure and matches the 3D model here.
- You are now ready to install the Gunship to the mount!



Please ensure the Lego set is structurally together before attempting to place on the wall mount.

Ask a 2<sup>nd</sup> person if possible to assist with locating the Gunship onto the mount to avoid damage to the model.

Using the 2 x 2x2 Lego bricks & the 2x16 Lego brick from the original Lego stand. Place this on top of the included info plaque mount to display your mini figs.