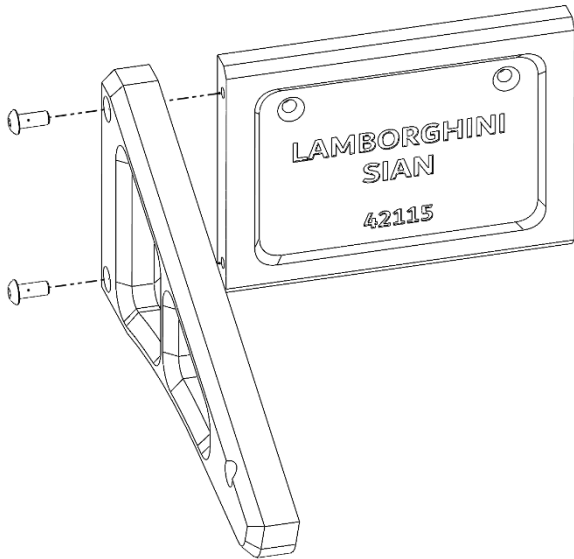




# Assembly Manual For Angled Wall Mount – Lamborghini Sian (42115)

Mount Version – 2.1

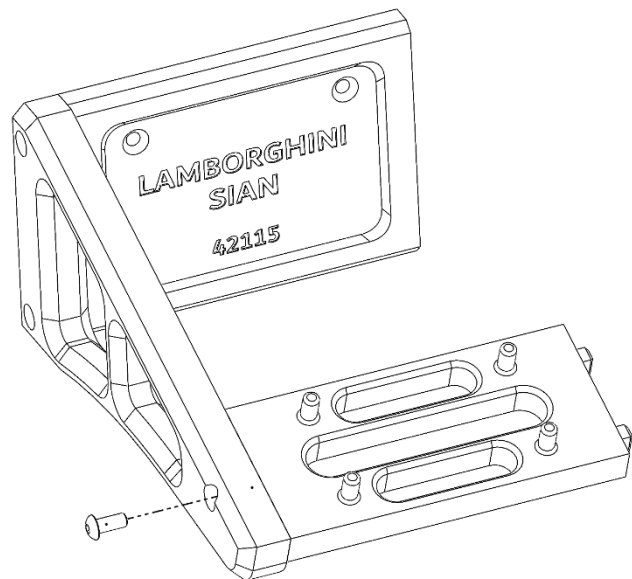


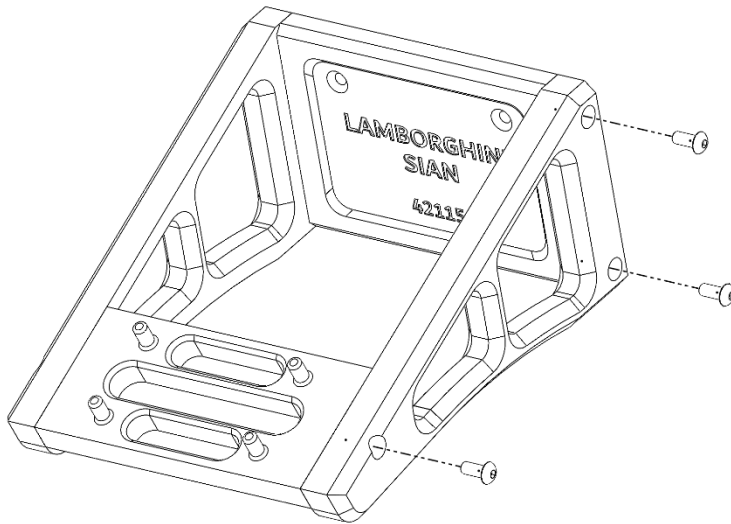
## Step 1:

- Using 2 x Included M4x10 Screws. Fasten the left side arm to the back plate using a 2.5mm Allen Key.
- Don't over tighten!

## Step 2:

- Attach the lower frame to the left side arm using the 2 locating slots. (it's a tight fit this is normal)
- Finish this step by using another M4x10 screw to lock the lower frame in place.
- Again! Don't over tighten. The holes are pre threaded.



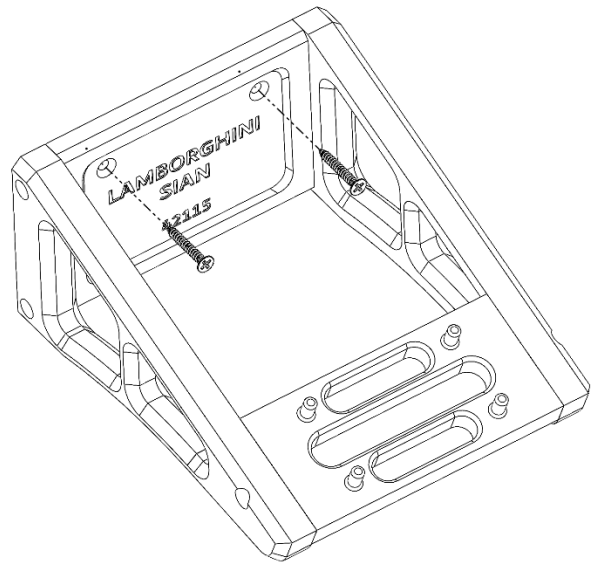


**Step 3:**

- Connect the right arm to the lower frame pushing it onto the locating slots.
- Lock the right side arm to the assembly using the remaining 3 x M4x10 screws.

**Completed Wall Mount.**

- Check the mount is firmly together and using this to mark out the mounting holes for the screws and plugs.
- Drill holes using a 5.5mm drill bit.
- Ensure the mount is securely fastened to the wall before proceeding with the next steps.

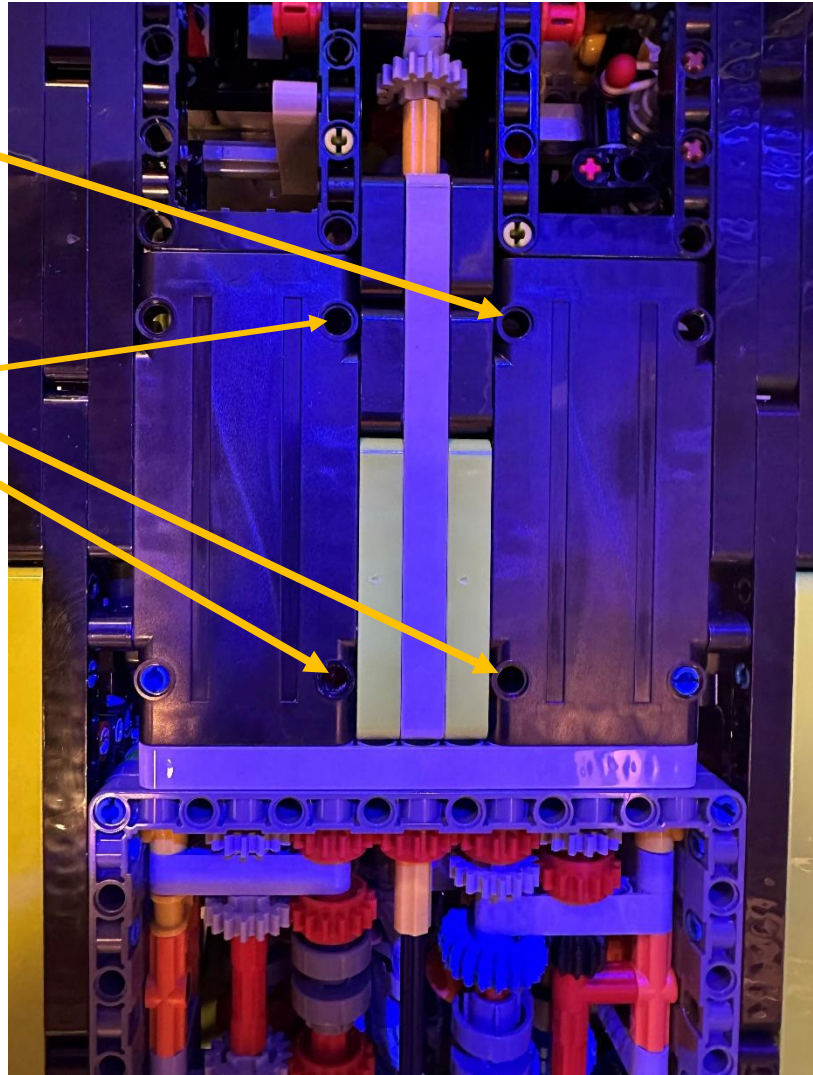


**Mounting The Model.**

- Highlighted in YELLOW is the 4 mounting points for the Sian.
- The next picture shows which 4 holes the pins line up with the ensure your model is secure.

#### Mounting Holes.

- Arrows here point to the 4 locating holes in the lower part of the car.
- The pins on the mount line up with these holes and ensure the car is supported correctly.



Please ensure the Lego set is structurally together before attempting to place on the wall mount.  
Never mount a model over a heat source or object that if the model falls could cause harm or injury.

For any technical support. Please get in touch at [www.Odyssey3D.co.uk](http://www.Odyssey3D.co.uk)

Your feedback on my products is greatly appreciated and these mounts are constantly evolving based on this.