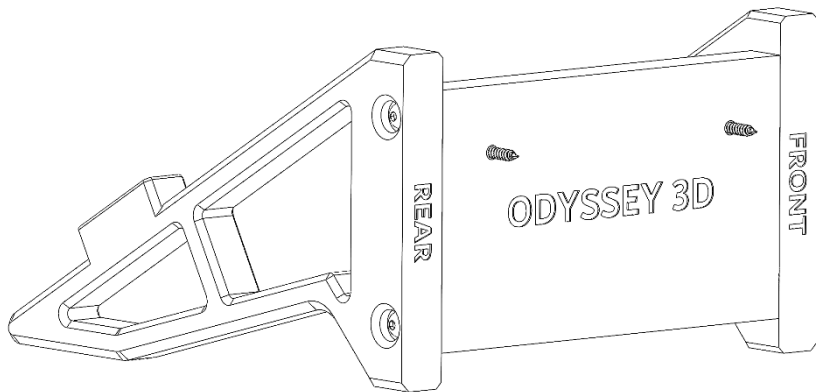




Mount Version – 2.1

Assembly Manual For Angled Wall Mount – Mercedes AMG F1 (42171)

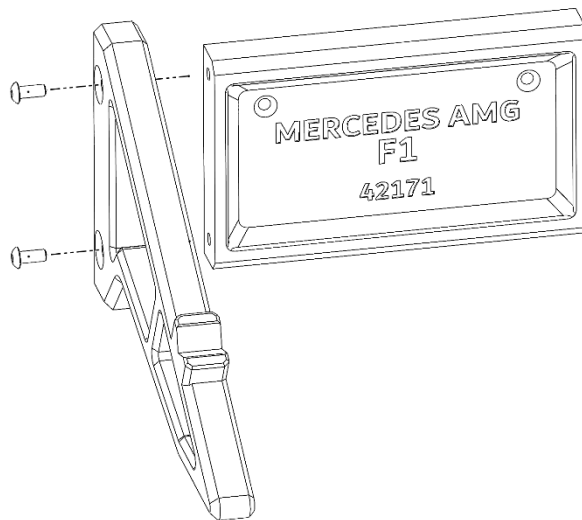


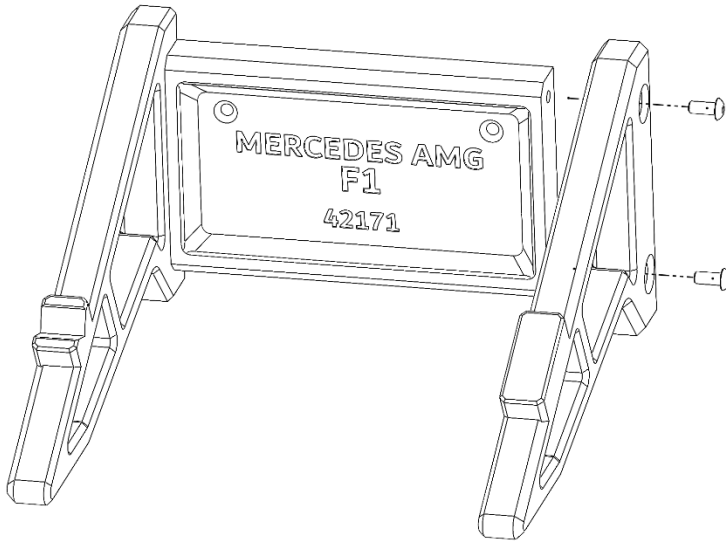
Step 1:

- This mount has a unique system with switchable arms. See the back of the arms to see which arm goes where on the vehicle.
- Ensure you fit the arms the right way around depending on which direction you want the car to face. “Front Arm” is for the Front of the model car.

Step 2:

- Once you have decided which way you want it to face. Connect one side arm to the left side of the back plate
- This is fastened using 2 x M5x15mm screws provided in the kit. You will need a 3mm Allen Key to complete this process.
- Don't over tighten!



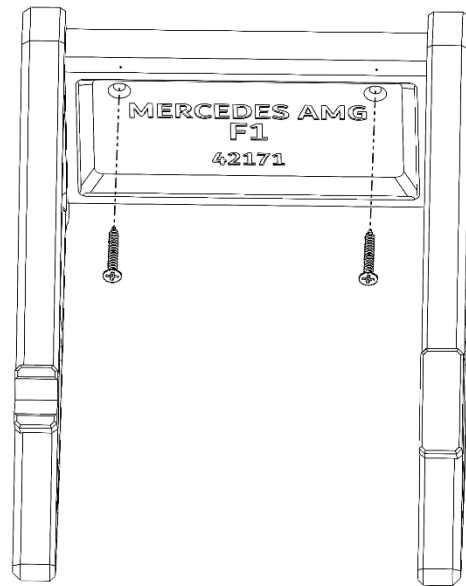


Step 3:

- Next. Connect the right side arm together using the last 2 x M5x15mm Screws provided in the kit.
- Don't over tighten!

Completed Wall Mount.

- Install the wall mount by marking out on the wall the location for the holes.
- Drill holes using a 5.5mm Drill bit.
- Using the provided mounting screws and plugs. Ensure the mount is secure and level once finished before mounting the car.



Please ensure the Lego set is structurally together before attempting to place on the wall mount.

For any technical support. Please get in touch at www.Odyssey3D.co.uk

Your feedback on my products is greatly appreciated and these mounts are constantly evolving based on this.

Thank you for your purchase and support.