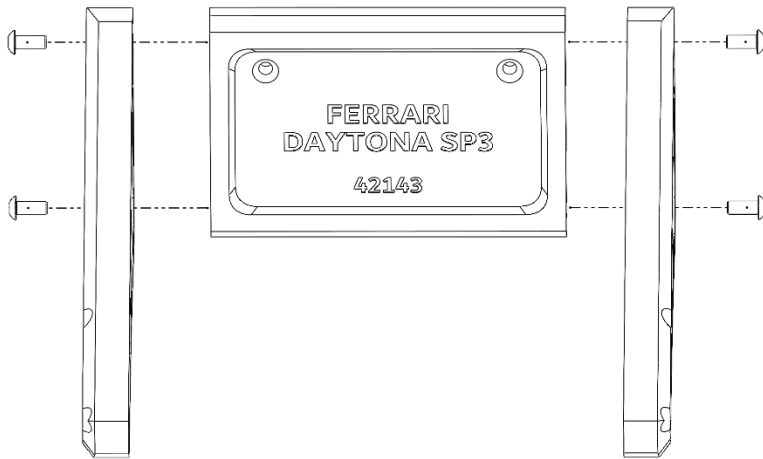




Mount Version – 2.1

Assembly Manual For Angled Wall Mount – Ferrari Daytona SP3 (42143)

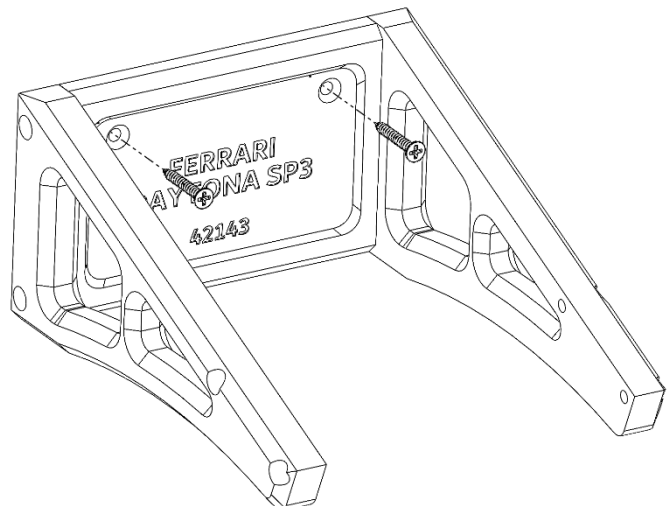


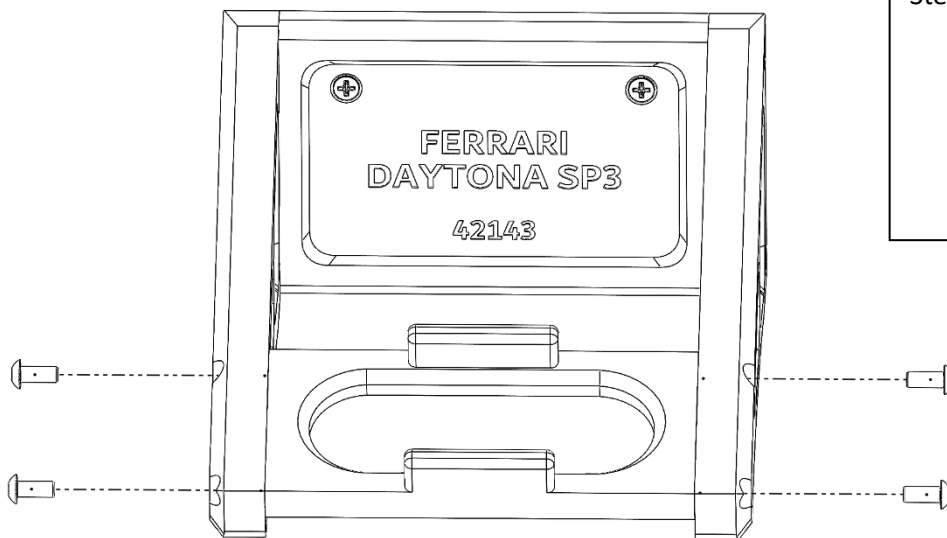
Step 1:

- Using 4 x Included M4x10 Screws. Fasten the side arms to the back plate using a 2.5mm Allen Key.
- Don't over tighten!

Step 2:

- For this step you will need the included 4x25mm screws and plugs.
- Mark out on your wall the holes for the back plate using it as a guide to where you want it to be.
- Drill 5.5mm holes into the wall and fit the plugs.
- Fasten the rear back plate to the wall ensuring its secure once complete.



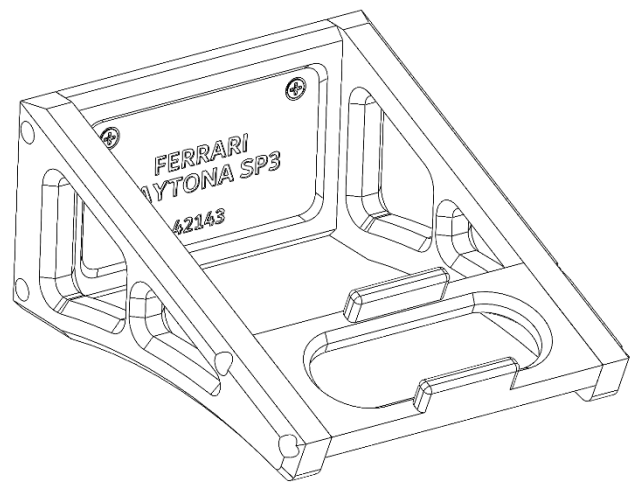


Step 3:

- Using a 2.5mm Allen Key. Fasten the bottom plate to the assembled frame.
- Don't over tighten!

Completed Wall Mount.

- Check your wall mount is secure and matches the 3D model here.
- You are now ready to install the Ferrari to the mount locating the car onto the two raised points.



Please ensure the Lego set is structurally together before attempting to place on the wall mount.

For any technical support. Please get in touch at www.Odyssey3D.co.uk

Your feedback on my products is greatly appreciated and these mounts are constantly evolving based on this.

Thank you for your purchase and support.